

OPTRACON™ TC-1 TARGETING CAMERA

CONCEALED THREAT DETECTION
AT A DISTANCE



Optracon™ TC-1 Targeting Cameras provide high resolution video images, which are mapped to the viewing area of the Optracon™ M30 sensor.

These images are then sent to Optracon™ Management Control Software, which applies advanced video analytics, identifying people as they come into a pre-determined targeting zone, using this data to direct OM30 sensors, to screen subjects and to identify as threat or no threat.

Designed to be installed independently of the Optracon™ M30 Sensor, OTC-1 Targeting Cameras can be mounted in the optimum location for threat detection targeting.

These full HD images allow the system to automatically identify and track multiple people within the threat detection area, and are presented to operators giving a clear display of all subjects, plainly showing who has been scanned and presents no threat, scanned and indicates possible threat and those who are waiting to be scanned.

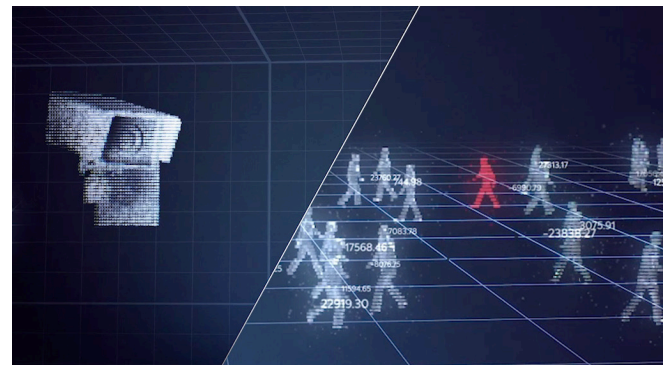
- Simultaneous real time tracking of multiple targets
- Camera image maps to OM30 radar sensor

- User definable region of interest
- Side opening for ease of installation with cable managed bracket

- Full HD colour camera

Optracon™ concealed threat detection solution, provides simple, effective and accurate security screening of concealed threats, suitable for multiple internal or external applications, including:

- Transport hubs, including airports, rail, underground and ports
- Critical infrastructure – including government and corporate facilities
- Schools, universities and other places of higher education
- Stadia and arenas– including VIP events, sports, concerts and varied 'pop-up' events
- Hotels
- Military and law enforcement facilities
- Religious sites and places of worship



GET IN TOUCH:

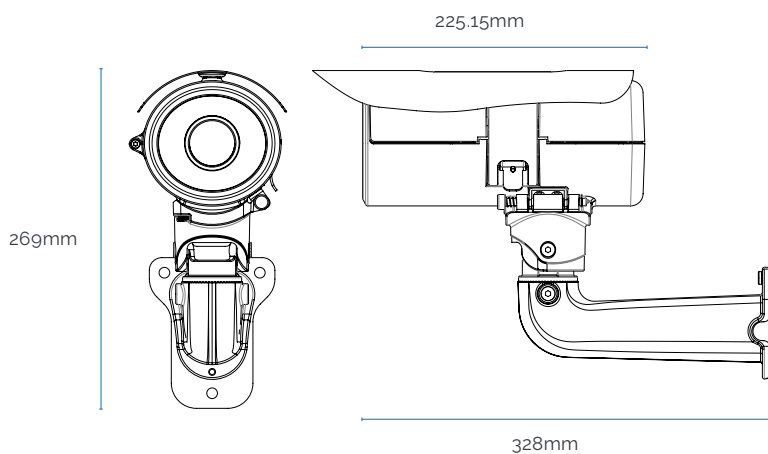
OPTRACON™ TC-1 TARGETING CAMERA

CONCEALED THREAT DETECTION
AT A DISTANCE



Optracon™ TC-1 Targeting Camera | Specifications

Sensor	Sony CMOS 1/2.8"
Resolution	Full HD 2.12 MPX 1936x1096
Aspect Ratio	16:9
Frame Rate	25 FPS
Connection	RJ45 / CAT6 GigE
Lens	79.5° horizontal angle of view; 38m horizontal at 30m distance
Access	Side opening
Cable entry	Cable managed bracket provides thru entry
Construction	Die cast alloy
Ingress	IP66
Weight	1.9Kg



Assault Rifles



PBIED



*Up to 60 People
Per Minute*



Up to 30 Meters



Automatic Screening



Free Space Detection

GET IN TOUCH:

Radio Physics Solutions Ltd. Ely, Cambridgeshire, UK | info@rpssys.com | www.rpssys.com